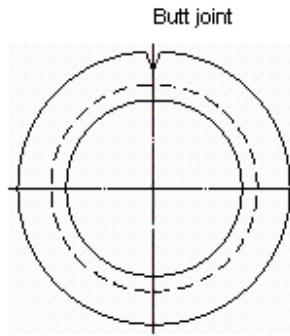
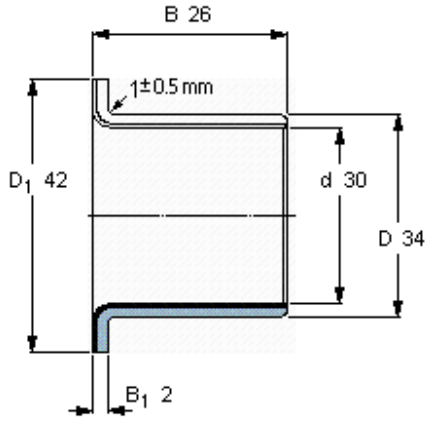


Composite dry sliding bushings, Composite dry sliding flanged bushings

Principal dimensions					Basic load ratings				Mass	Designation
d	D	D1	B	B1	radial dynamic C	static C0	axial dynamic Ca	static C0	kg	-
mm					kN					
30	34	42	26	2	54	170	29	91,5	0,05	PCMF 303426 E



Specific load factor
Material constant

K 80
K_M 480